



**Astro Pneumatic
Tool Company**
372 Old US Highway 52 South
Mount Airy, NC 27030

Model:

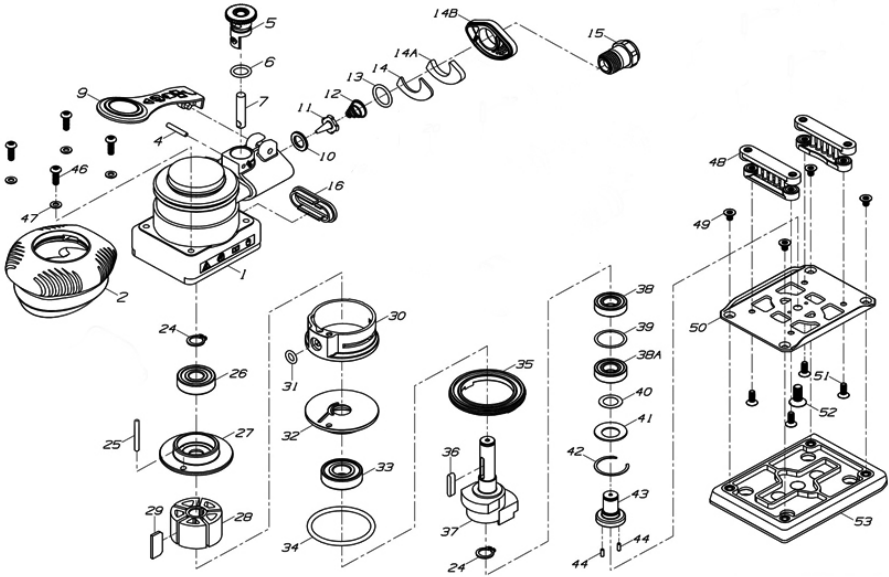
314

Product Type:

**3" FINISHING PALM SANDER W/
HOOK & LOOP BACKING PAD -
3/32" STROKE**

Call 1.800.221.9705 for questions concerning performance of the product or other inquiries.

PARTS BREAKDOWN



Parts List

Index	Part No.	Description	Qty
1	314-01	Housing	1
2	314-02	Sleeve	1
4	3022-08	Pin	1
5	3014-04	Regulator	1
6	3022-04	O-Ring	1
7	3022-07	Valve Stem	1
9	3014-13	Lever (Plastic)	1
10	3022-11	Spacer	1
11	3022-12	Controller	1
12	3022-13	Spring	1
13	3022S-08	O-Ring	1
14	314-12	Brass Silencer	1
14A	314-13	Muffler	1
14B	314-14	Silencer Cover	1
15	3014-10	Air Inlet	1
16	314-16	Cover	1

Index	Part No.	Description	Qty
24	3022-18	Retaining Ring	2
25	3022-21	Pin	1
26	3022-19	Ball Bearing	1
27	3022-20	Rear Plate	1
28	3022S-22	Rotor	1
29	3022S-23	Rotor Blade	5
30	3022S-24	Cylinder	1
31	3022-25	O-Ring	1
32	3022-26	Front Plate	1
33	3022-27	Ball Bearing	1
34	3022-28	O-Ring	1
35	3022-29	Motor Cover	1
36	3022-41	Key	1
37	314-30	Rotor Shaft	1
38	314-31	Ball Bearing	1
38A	314-32	Ball Bearing	1

Index	Part No.	Description	Qty
39	314-33	Washer	1
40	314-34	Brass Washer	1
41	314-35	Wave Washer	1
42	314-36	Retaining Ring	1
43	314-37	Drive Spindle	1
44	314-38	Pin	2
46	314-39	Washer	4
47	314-40	Washer	4
48	314-41	Connector Assy.	2
49	314-42	Screw	4
50	314-43	Shoe Plate	1
51	314-44	Screw	4
52	314-45	Screw	1
53	4613	Hook & Loop Pad	1

* Also available sold separately
#4614 - PSA Pad